

EYELET

241-02-109
Fastener, Custom: Set Screw, Flanged, M3, 2017 Lockout

039-00-393
Spring: Torsion, 2018 Dish/DPS Remote, [.0035 in-lb/deg], Unplated

210-24-053
Cable Hanger, 2017 FLOAT DPS, SV & LV Up

019-01-129
Fastener, Standard (Metric): FHCS [M4 x .7, x 8mm] Black Zinc

210-24-150
Cam: (T) RD Adj, 2017 Float DPS, Remote, SV All and LV Up [1.435 TLG, .090 Shaft]

SECTION A-A

TORQUE:
5±1 IN.LB.

GREASE:
THIN LAYER
HIGH TEMP BLUE

TORQUE:
25±5 IN.LB.

TORQUE:
8±2 IN.LB.

019-01-134
Set Screw [M4 x .7mm x 4mm], Flat Point, Torx, Black

210-24-054
Pulley: 2016 Nude 3 DPS-Remote

019-01-070
Set Screw [M4 x .7mm x 4mm], Flat Point, SS

TORQUE:
START THREAD 2 TURNS

210-24-055
Rebound Knob: 2017 FLOAT Remote

TORQUE:
5±1 IN.LB.

019-01-006
Fastener, Standard (Metric): Screw [M3 x 4mm] SS Socket Set Cone Point

210-30-117
Cam: (T) CD Adj, 2018 Float DPS, Remote, 2 Pos, Push-Unlock, SV All and LV Up, 0.4 pull opt

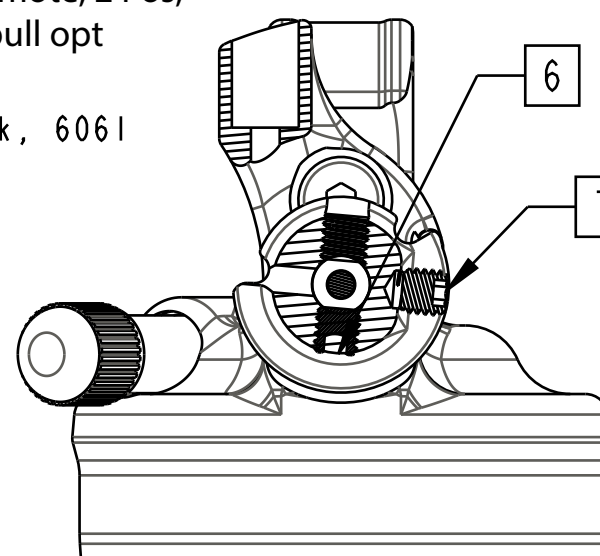
010-00-057
Air Valve Parts: Cap, Air Valve [.305-.32], Black, 6061

802-00-007-KIT
Service Set: Air Valve Assy: Slim [M6 X .75, 1.150 TLG]

AIR VALVE O-RING

Seals: O-Ring [7.5MM ID x 1.5MM CS] Metric, N-70, Static

EYELET O-RING



SECTION B-B

NOTE KNOB
ORIENTATION [3]

[2] NOTE PART IDENTIFICATION GROOVES FOR LV DOWN CONFIGURATIONS.

[3] FOX LOGO AS SHOWN WHEN KNOB IN MIDDLE OF ADJUSTMENT RANGE.

[4] PULLEY TO BE FULLY SEATED AGAINST COMPRESSION CAM FLANGE.

[5] APPLY THIN LAYER SLICK HONEY TO INSTALL ON AIR VALVE.
APPLY THIN LAYER FLOAT FLUID ON INSTALLED AIR VALVE O-RING
PRIOR TO AIR VALVE INSTALLATION.

[6] BLACK TORX SET SCREW FIXES PULLEY TO CAM.

[7] STAINLESS HEX SET SCREW FIXES CABLE TO PULLEY.

PROPRIETARY -
THIS DOCUMENT CONTAINS CONFIDENTIAL, PROPRIETARY INFORMATION
THAT IS FOX PROPERTY. DO NOT DISCLOSE TO OR DUPLICATE
FOR OTHERS EXCEPT AS AUTHORIZED BY FOX.

FOX Factory, Inc.
808-17-332-KIT
Eyelet Assy: 2018 FLOAT DPS
Remote Up, SV
and
808-17-336-KIT
Eyelet Assy: 2018 FLOAT DPS
Remote Up, Trunnion SV

SIZE DWG. NO.

C

PLOT SCALE | .50 : 1

SHEET 1 OF 2